

## **DH-HAC-HFW3220E-Z(H)**

---

2.4Megapixel 1080P Water-proof HDCVI IR-Bullet Camera



### **Features**

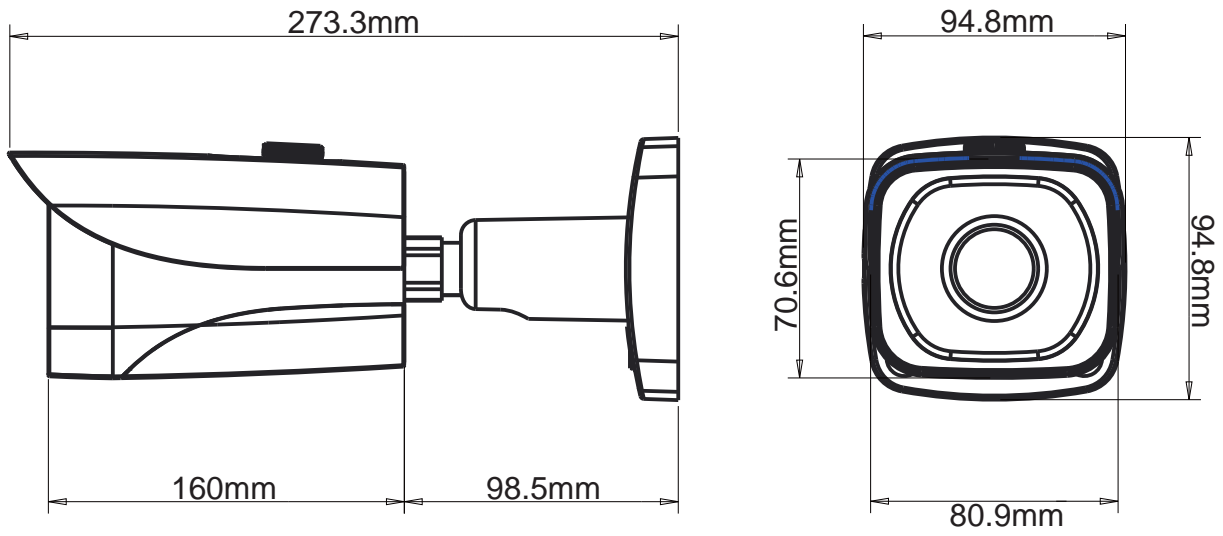
- 1/2.8" 2.4Megapixel CMOS
- 25/30fps@1080P, 25/30/50/60fps@720P
- High speed, long distance real-time transmission
- HD and SD switchable, Tester out
- OSD Menu, control over coaxial cable
- DWDR, Day/Night(ICR), AWB, AGC, BLC, 3DNR
- Audio, Alarm, Heater(optional)
- 2.7~12mm motorized lens, Auto Iris
- Max. IR LEDs length 50m, Smart IR
- IP67, AC24V/DC12V

**DH-HAC-HFW3220E-Z(H)****Technical Specifications**



<b>Model</b>	<b>DH-HAC-HFW3220EP-Z(H)</b>	<b>DH-HAC-HFW3220EN-Z(H)</b>
<b>Camera</b>		
Image Sensor	1/2.8" 2.4Megapixel CMOS	
Effective Pixels	1984(H)×1225(V)	
Electronic Shutter	1/3s~1/100,000s	
Video Frame Rate	25/30/50/60fps@720P; 25/30fps@1080P	
Synchronization	Internal	
Mini. Illumination	0.05Lux/F1.4, 0Lux IR on	
Video Output	1-channel BNC HDCVI high definition video output / CVBS standard definition video output (Can switch) Tester out	
<b>Camera Features</b>		
Max. IR LEDs Length	50m, Smart IR	
Day/Night	Auto(ICR) / Color / B/W	
Noise Reduction	2D/3D	
OSD Menu	Support	
<b>Lens</b>		
Focal Length	2.7~12mm	
Angle of View	H: 93° ~35°	
Lens Type	Motorized / Auto Iris	
Mount Type	Φ14	
<b>Auxiliary Functions</b>		
Alarm	1 channel in/out	
Audio	1 channel in	
Heater	Optional	
<b>General</b>		
Power Supply	AC24V±10% / DC12V±10%	
Power Consumption	Max 7.5W Max 13W (HFW3220E-ZH)	
Working Environment	-30°C~+60°C / Less than 95%RH (no condensation) -40°C~+60°C / Less than 95%RH (no condensation) (HFW3220E-ZH)	
Transmission Distance	Over 500m via 75-3 coaxial cable	
Ingress Protection	IP67	
Dimensions(W×D×H)	273.3mm×94.8mm×94.8mm	
Weight	1.2kg	
Material	Metal	

**DH-HAC-HFW3220E-Z(H)**

**Dimensions (mm)**



**Accessories (optional)**

	
<p>PFA121</p>	<p>PFA152</p>